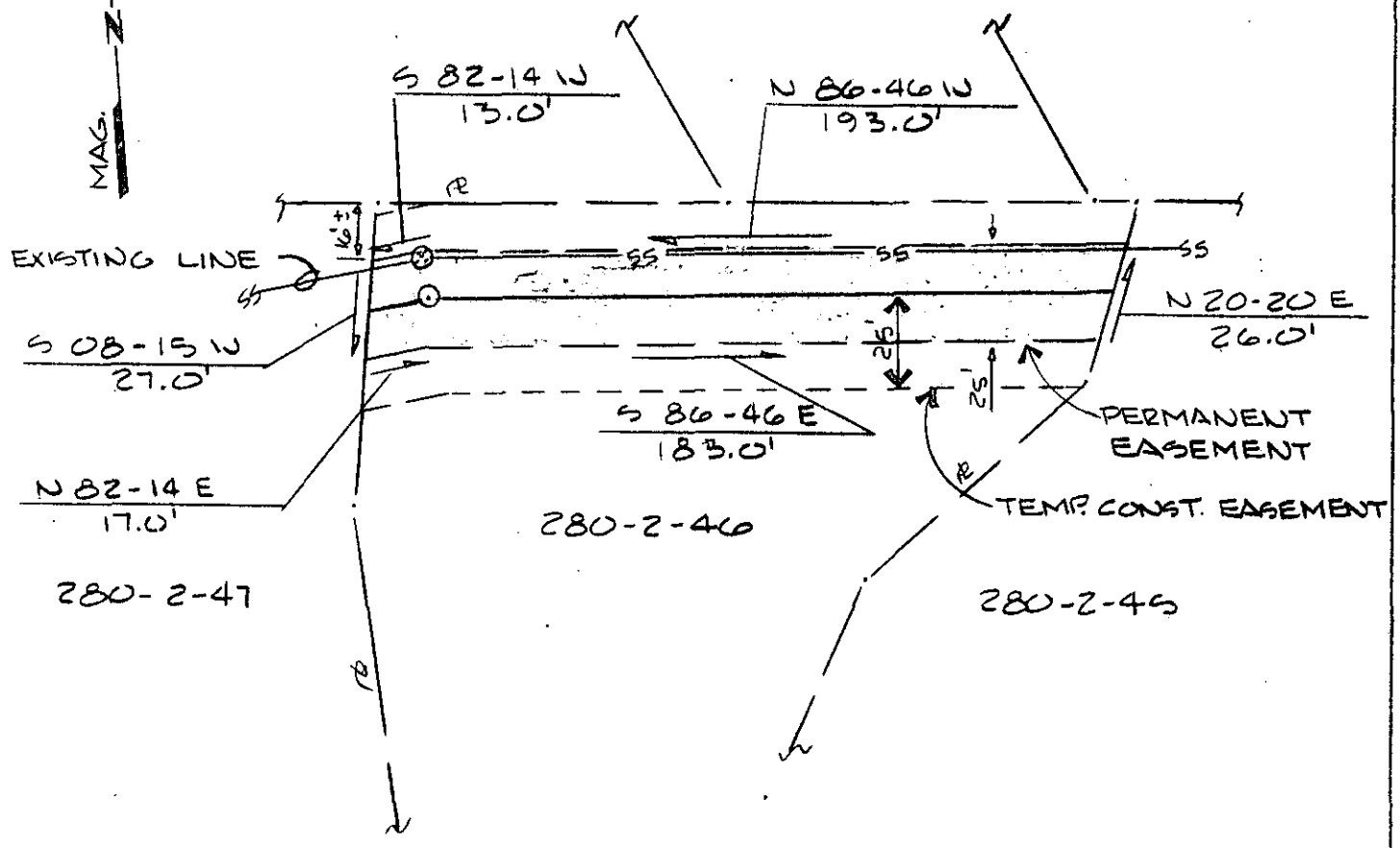


DEC 30 3 04 PM '82

MICROFILMED

DONNIE S. TANKERSLEY
R.M.C.



TOTAL AREA = 5,075.0 SQ. FT. ✓

DEC 30 1982

16030

9-K-71 ✓

PROPERTY OF
G., G., & G. CORP.

NORTHEAST TRUNK

SANITARY SEWER EASEMENT

FOR
CITY OF GREENVILLE

LOT 280-2-46



FILE N#17-420 33 of 42 SCALE: 1" = 50'

RAP 4-8-82